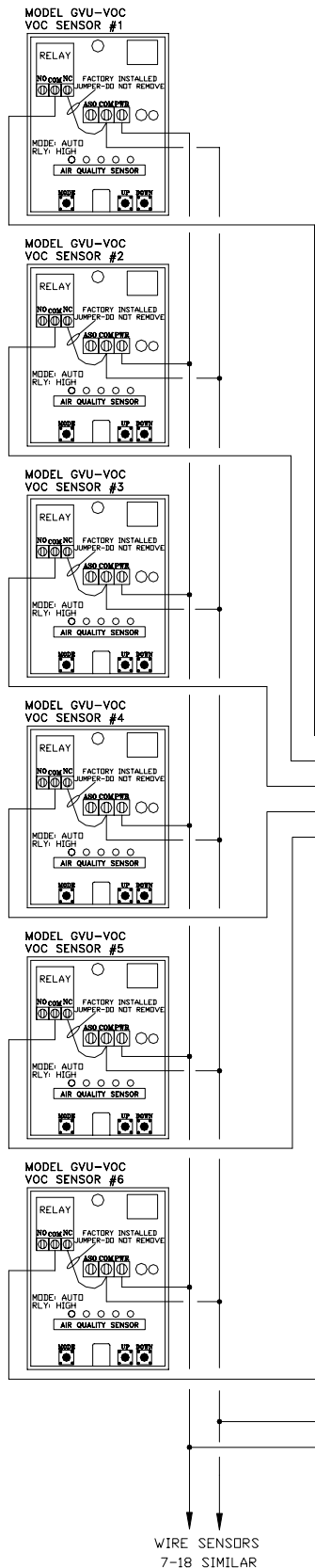


# GVU-18 VOC MONITOR FIELD WIRING

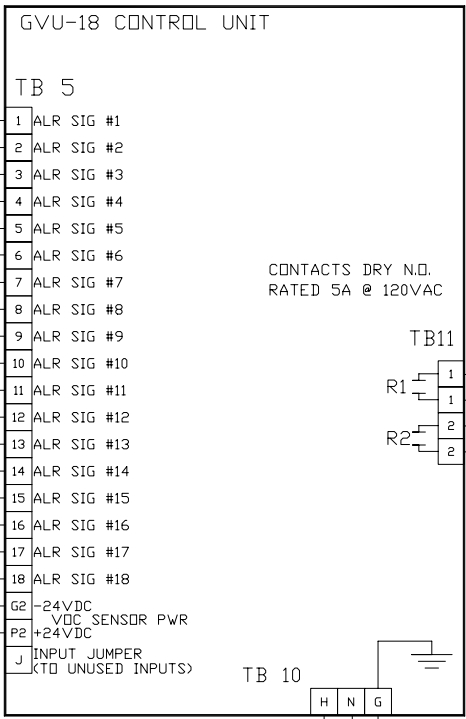
## FIELD WIRING DIAGRAM

TOXALERT Gvu-CO, Gvu-NO2 AND Gvu-CO2 SENSORS CAN BE USED IN PLACE OF OR IN COMBINATION WITH TOXALERT Gvu-VOC SMOKE/AIR QUALITY SENSORS. REFER TO APPLICABLE DATA SHEETS AND SCHEMATICS.



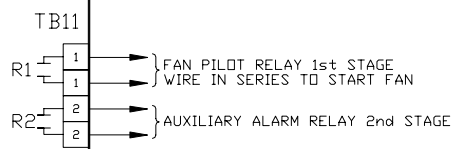
Wire Gauge (AWG)	Max Cable Length (Feet)	BELDEN NUMBER
18	1,300	8770
16	2,000	8618
14	3,000	83753
12	4,400	83803

SENSOR WIRE GAUGE AND LENGTH  
(IF CABLE IS NOT RUN IN METAL CONDUIT USE SHIELDED CABLE)



- TO SENSOR 7 RLY ←
- TO SENSOR 8 RLY ←
- TO SENSOR 9 RLY ←
- TO SENSOR 10 RLY ←
- TO SENSOR 11 RLY ←
- TO SENSOR 12 RLY ←
- TO SENSOR 13 RLY ←
- TO SENSOR 14 RLY ←
- TO SENSOR 15 RLY ←
- TO SENSOR 16 RLY ←
- TO SENSOR 17 RLY ←
- TO SENSOR 18 RLY ←

CONTACTS DRY N.O.  
RATED 5A @ 120VAC



120VAC 60Hz  
POWER IN

WIRE SENSORS  
7-18 SIMILAR

**TOXALERT INTERNATIONAL**  
GAS DETECTION SYSTEMS  
www.toxalert.com  
P.O. BOX 158 MOUND, MN. 55364  
(952)472-4541

ENG: *	ENG. BY *
CONTR: *	DWN. BY CSS
A.	B.
C.	D.

GVU-18 VOC MONITOR, FIELD WIRING	
* *	
SHEET *	DATE: 3/15/06
	DWG. No. SECTION 2 STD.