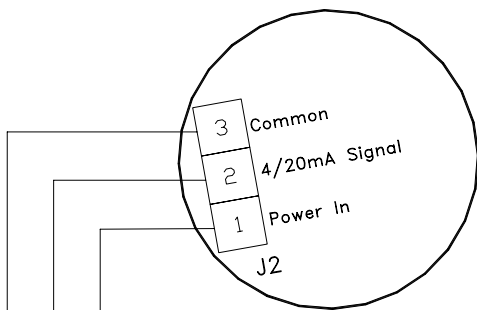


TOX-OXY2 OXYGEN DEPLETION MONITOR

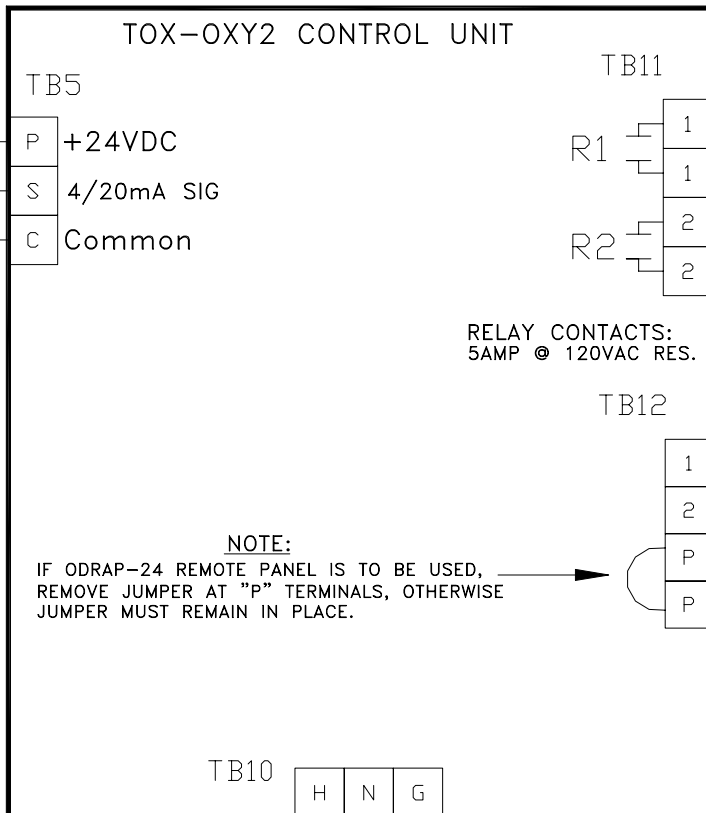
FIELD WIRING

TOX-02/1
OXYGEN SENSOR



Wire Gauge (AWG)	Max Cable Length (feet)	BELDEN NUMBER
18	2,000	8770
16	3,000	8618
14	4,000	83753
12	8,000	83803

SENSOR WIRE GAUGE AND LENGTH
(IF CABLE IS NOT RUN IN METAL CONDUIT USE SHIELDED CABLE)

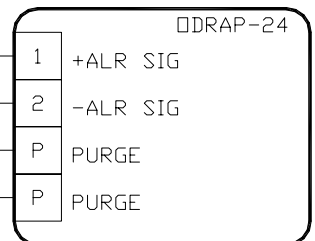


WARNING STAGE PURGE RELAY CONTACTS CLOSE @ 19.5% O2 DEPLETION

AUXILIARY ALARM CONTACTS CLOSE @ 18.5% O2 DEPLETION

RELAY CONTACTS:
5AMP @ 120VAC RES.

NOTE:
IF ODRAP-24 REMOTE PANEL IS TO BE USED, REMOVE JUMPER AT "P" TERMINALS, OTHERWISE JUMPER MUST REMAIN IN PLACE.



OPTIONAL
ODRAP-24
REMOTE PANEL

120VAC
POWER IN

TOXALERT
INTERNATIONAL
GAS DETECTION SYSTEMS
www.toxalert.com
P.O. BOX 159 MOUND, MN. 55364
(952)472-4541

ENG: *

CONTR: *

REV. A.
C.

ENG. BY *

DWN. BY *TKB*

TOX-OXY2 FIELD WIRING - TYPICAL

*

*

SHEET *

DATE: 7/11/05

DWG. NO. SECTION 5 STD.